

o-ring  
 Ø20x1,5

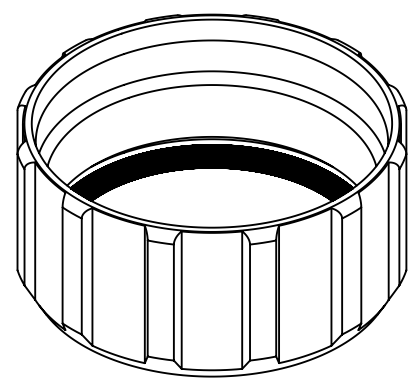
Ø26,2


M23x1

Ø23,3

11

12



	All rights reserved Department EL PD HARTING Electric GmbH & Co. KG D-32339 Espelkamp	All Dimensions in mm Original Size DIN A4	Scale 2:1	Free size tol.	Ref. Sub.
		Created by DYCKC	Inspected by GRUBES	Standardisation TIEMANNA	Date 2019-07-19
Title M23 Metal Screw Cover - no Chain					Doc-Key / ECM-Nr. 100704791/UGD/001/B 500000154987
Type TB		Number 09 15 100 9101			Rev. B
					Page 1/1